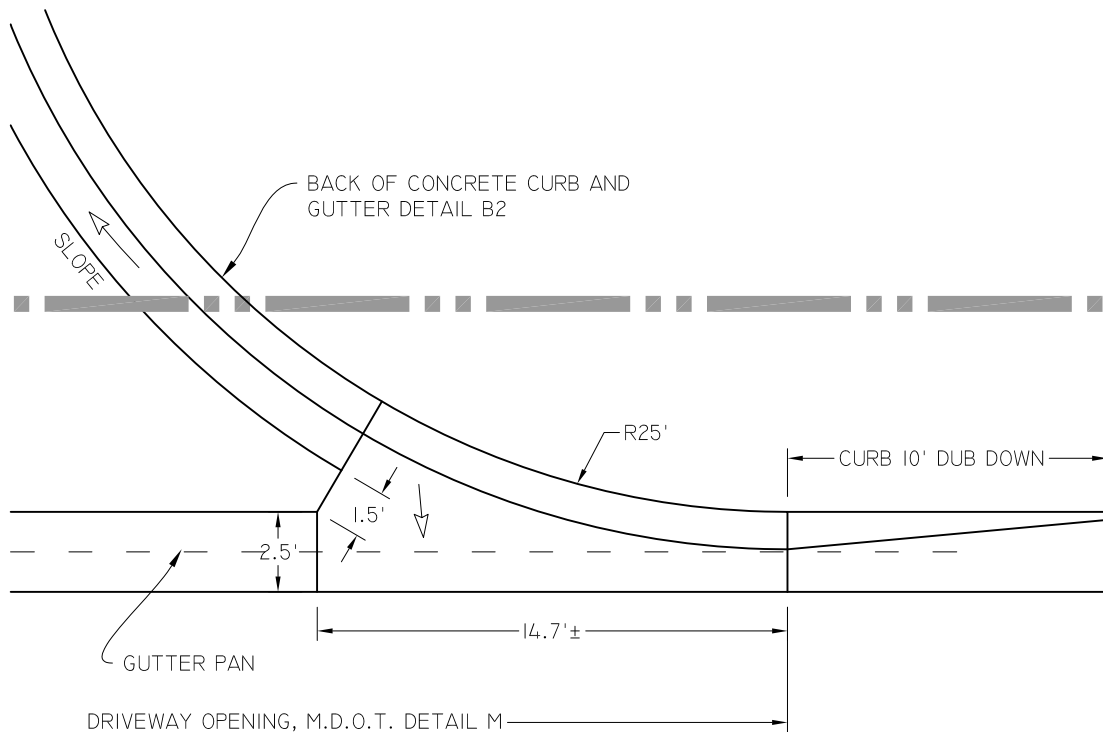
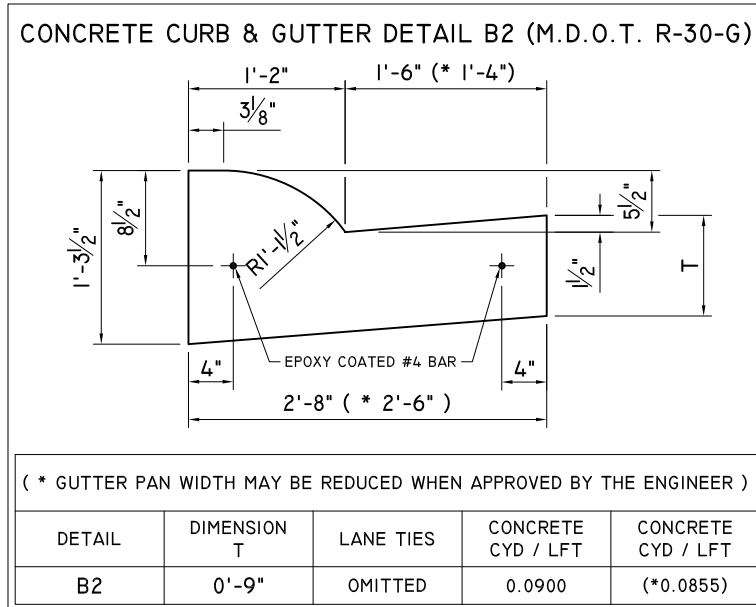


MUSKEGON COUNTY ROAD COMMISSION
 TYPICAL DETAIL FOR
 CONCRETE CURB & GUTTER AND CONCRETE GUTTER PAN



NOTE:

I) WATER FROM PRIVATE PROPERTY SHALL NOT DRAIN INTO ROAD RIGHT-OF-WAY.